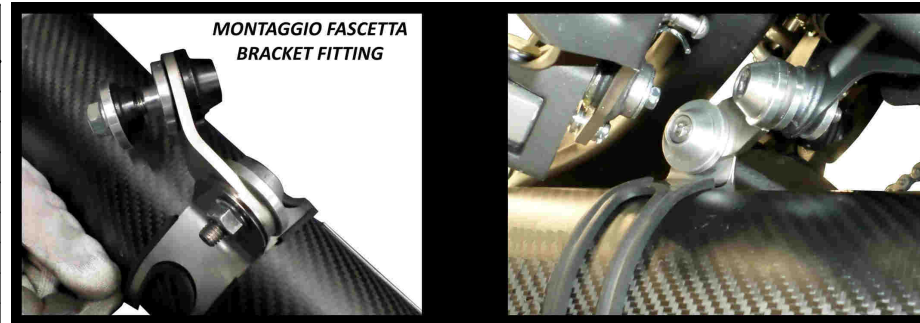
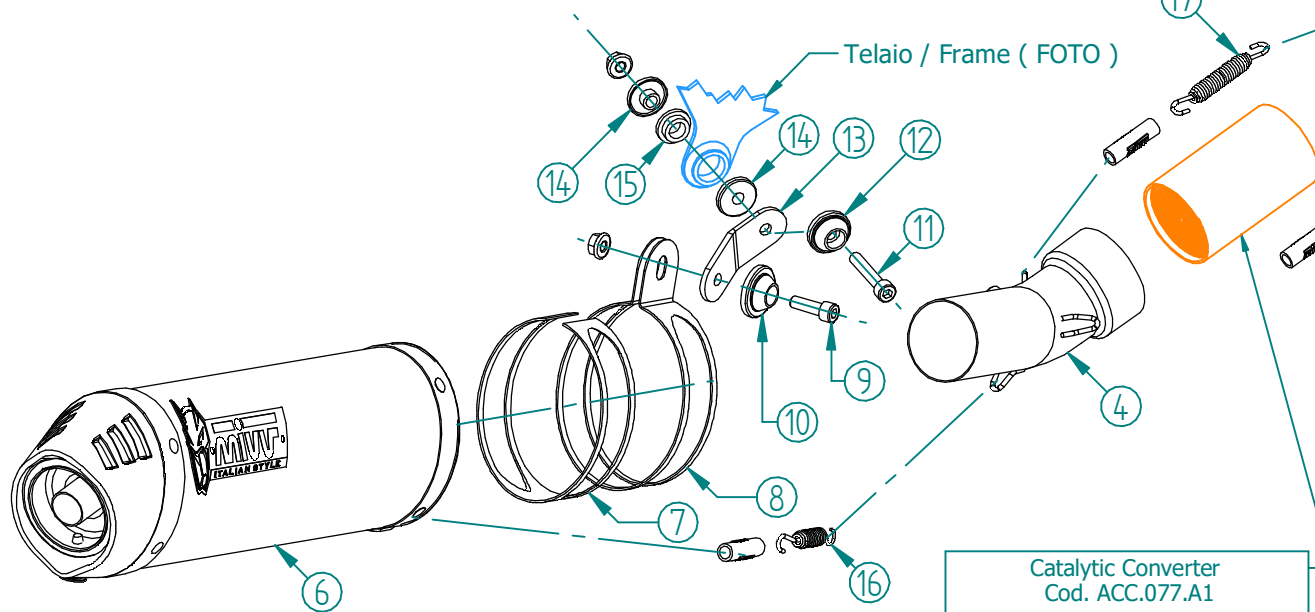


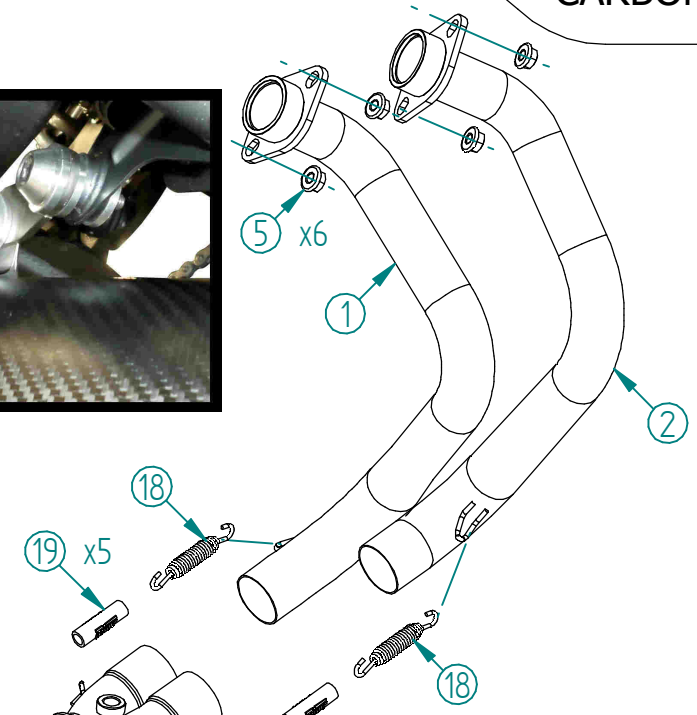
#	DESCRIPTION	PART NUMBER	QTY
1	Collettore #1 / Down pipe #1	9773K044S2A	1
2	Collettore #2 / Down pipe #2	9773K044S2B	1
3	Tubo di raccordo 2-1 / Link pipe 2-1	9773K057S2C	1
4	Tubo di raccordo / Link pipe	9773K057S2D	1
5	Dado M8 flangiato / Flanged nut M8	50.73.393.1	6
6	Silenziatore / Muffler - dB killer 50.DK.021.0	OVAL CARBON CAP 360	1
7	Protezione in gomma / Rubber protection	50.73.077.1	1
8	Staffa / Bracket	50.SS.030.0	1
9	Vite M8x25 / Screw M8x25	50.73.064.1	1
10	Rondella in alluminio / Aluminium washer	50.73.063.1	1
11	Vite M8x45 / Screw M8x45	50.73.602.1	1
12	Rondella in alluminio / Aluminium washer	50.73.291.1	1
13	Staffa / Bracket	50.SS.810.0	1
14	Boccola / Bush	50.73.381.1	2
15	Silentblock / Silentblock	50.73.380.1	1
16	Molla corta / Short Spring	50.73.123.1	1
17	Molla lunga / Long spring	50.71.080.1	2
18	Molla media / Mid-size spring	50.73.359.1	2
19	Tubo in gomma per molla / Rubber pipe for spring	50.73.210.1	5



FOTO



Catalytic Converter
Cod. ACC.077.A1
Optional for K.057.L3C - K.057.L4C
Included in K.057.K3C - K.057.K4C



APPLICAZIONI / APPLICATIONS				
CODICE / CODE	SILENZIATORE / MUFFLER	NOTE	TUBO / PIPE	FASCETTA / CLAMP
K.057.L3C	CARBONIO (Coppa carbonio) / CARBON (Carbon cap)	CATALYTIC CONVERTER	INOX / ST. STEEL	INOX / ST. STEEL
K.057.L4C	TITANIO (Coppa carbonio) / TITANIUM (Carbon cap)	NOT INCLUDED		
K.057.K3C	CARBONIO (Coppa carbonio) / CARBON (Carbon cap)	CATALYTIC CONVERTER	INOX / ST. STEEL	INOX / ST. STEEL
K.057.K4C	TITANIO (Coppa carbonio) / TITANIUM (Carbon cap)	INCLUDED		