



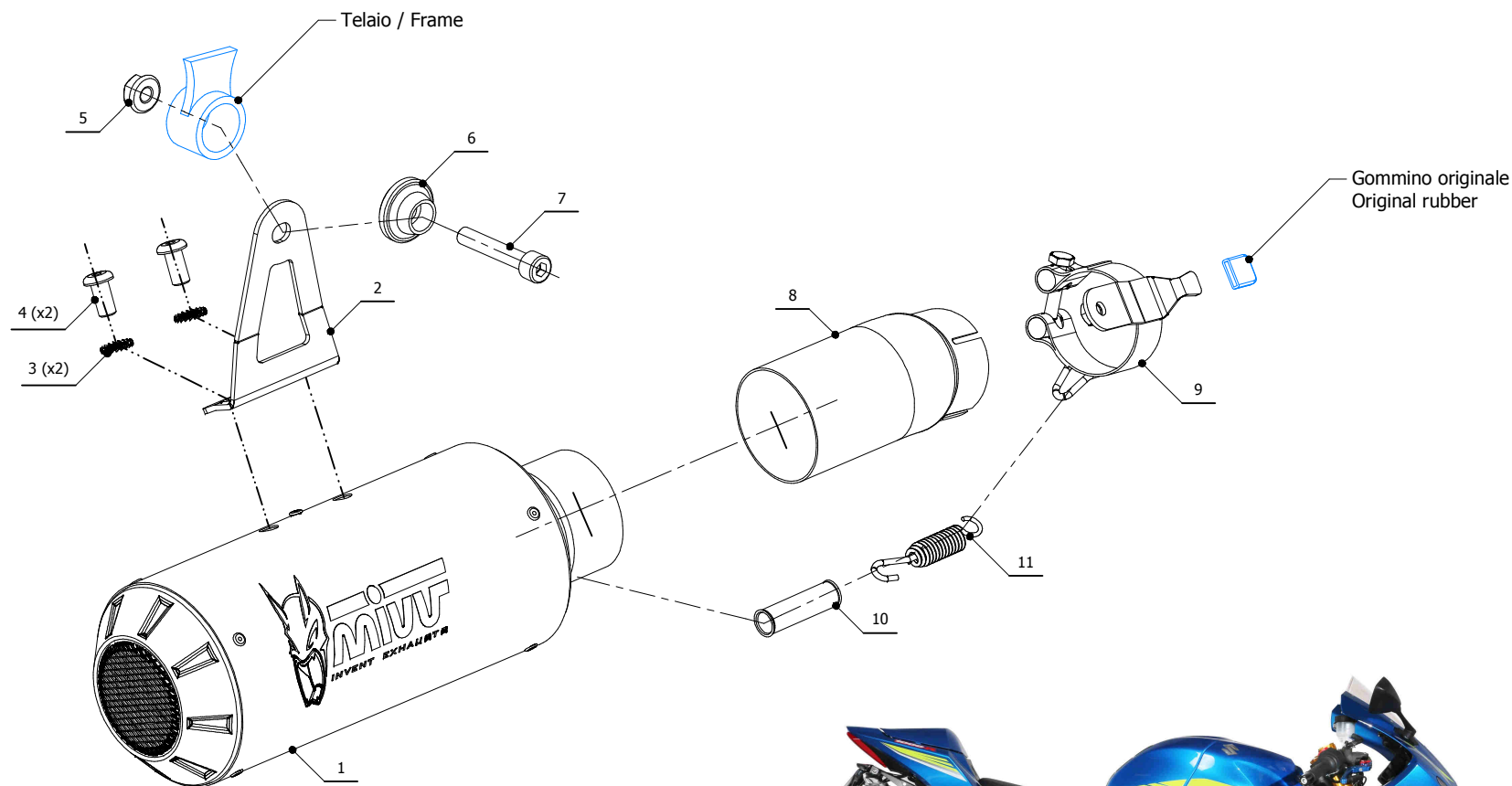
MODEL SUZUKI GSX-R 1000

YEAR 2017 -->

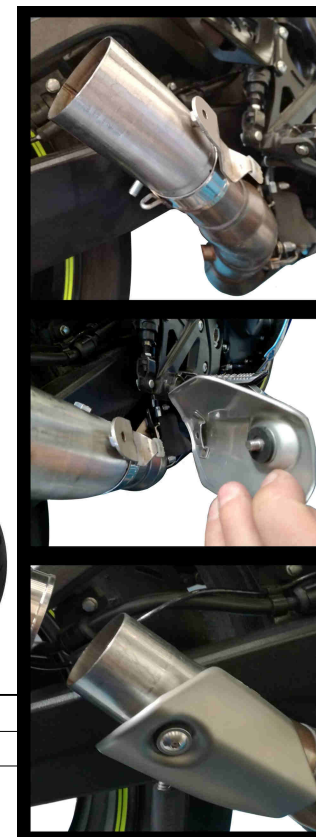
LINE SLIP ON

MUFFLER M3

SCHEMATIC



MONTAGGIO CARTER ORIGINALE
ORIGINAL COVER FITTING



ELENCO PARTI / PARTS LIST

#	QTÀ / QTY	DESCRIZIONE / DESCRIPTION	CODICE / CODE
1	1	Silenziatore / Muffler	M3 Øi 55
2	1	Staffa / Bracket	50.SS.1104.0
3	2	Rondella di sicurezza / Safety washer	50.73.604.1
4	2	Vite M8 x 16 / Screw M8 x 16	50.73.098.1
5	1	Dado M8 flangiato / Flanged nut M8	50.73.393.1
6	1	Rondella in alluminio nera / Black aluminium washer	50.73.221.1
7	1	Vite M8x45 / Screw M8x45	50.73.602.1
8	1	Tubo di raccordo / Link pipe	9773S050S2
9	1	Fascetta / Pipe clamp	50.73.840.0
10	1	Tubo in gomma per molla / Rubber pipe for spring	50.73.210.1
11	1	Molla corta / Short Spring	50.73.123.1

APPLICAZIONI / APPLICATIONS

CODICE / CODE	SILENZIATORE / MUFFLER	LOGO	TUBO / PIPE
S.050.SM3B	STEEL BLACK	LASER	INOX / ST. STEEL
S.050.SM3C	CARBONIO / CARBON FIBER	ALUMINIUM LABEL	
S.050.SM3X	INOX / ST. STEEL	LASER	