

MOTOPLASTIC, S.A.

Molí de la sal, 1 - 08400 Granollers (Barcelona) SPAIN

Tel. 34 93 849 06 33 - Fax 34 93 849 09 88

info@puig.tv

www.puig.tv

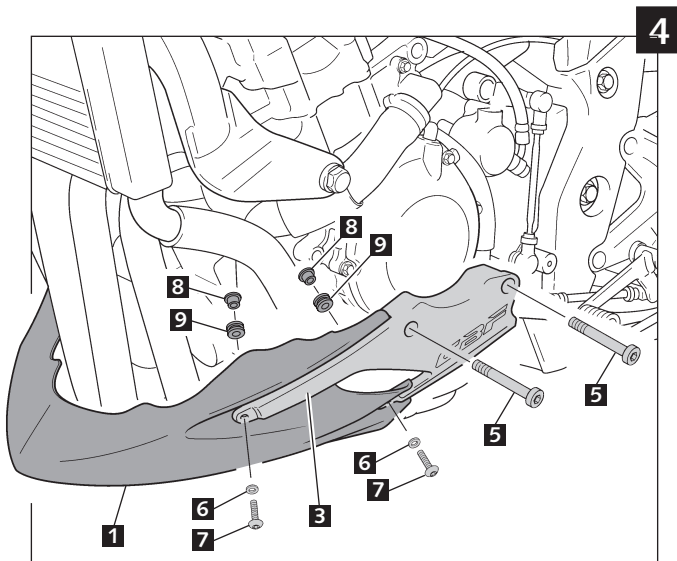
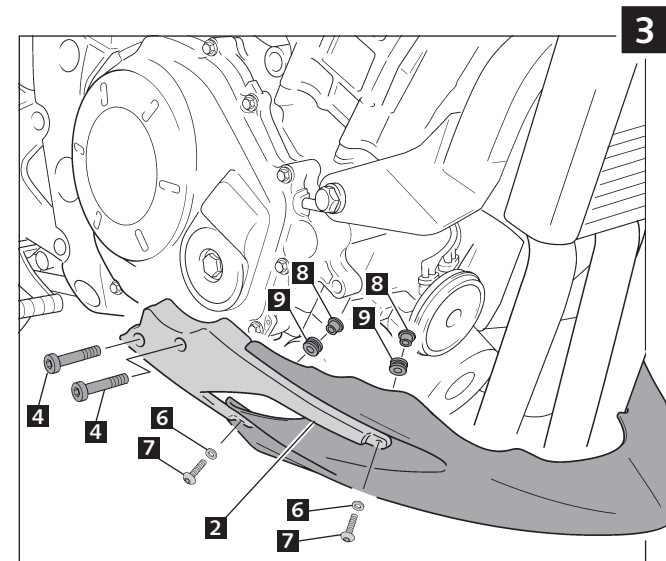
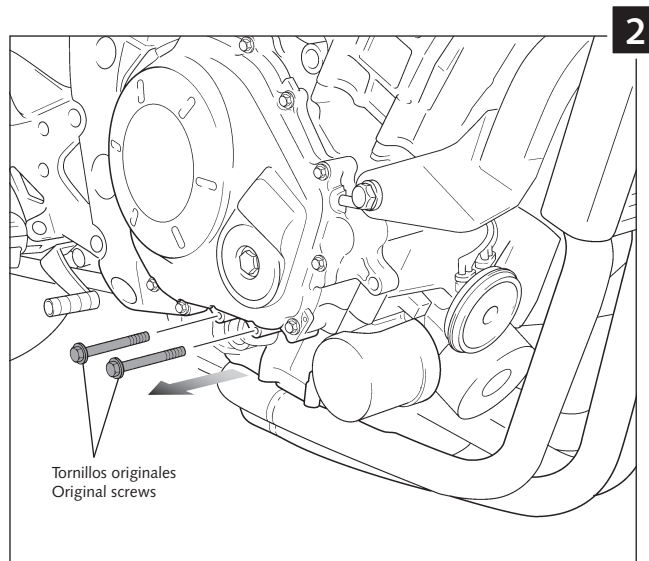
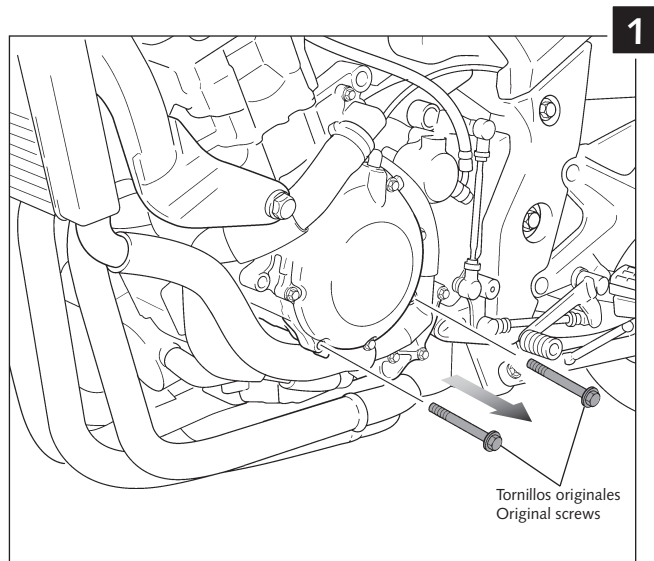
INSTRUCCIONES DE MONTAJE - MOUNTING INSTRUCTIONS


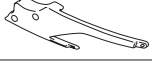





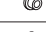
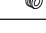
QUILLA ADAPTABLE A - ENGINE SPOILER ADAPTABLE TO

HONDA CBF1000F '10-

Ref.: 5279N
(color negro/black colour)

Ref.: 5279C
(color carbono/carbón look)



ID.	DESCRIPCIÓN	DESCRIPTION	QTY.
1	 Quilla	Engine spoiler	1
2	 Soporte derecho aluminio	Right aluminium bracket	1
3	 Soporte izquierdo aluminio	Left aluminium bracket	1
4	 Tornillo allen M6x50 DIN912	Allen screw M6x50 DIN912	2
5	 Tornillo allen M6x60 DIN912	Allen screw M6x60 DIN912	2
6	 Arandela nylon Ø5xØ11xØ1	Nylon washer Ø5xØ11xØ1	4
7	 Tornillo allen M5x16 ISO 7380	Allen screw M5x16 ISO 7380	4
8	 Casquillo con valona M5	M5 bush with flange	4
9	 Silemblock	Well nut	4